

Off Grid Solar PV Modules

Model No. HG50M 50W

Temperature Coefficients

Nominal Operating Cell Temperature	NOCT	°C	45+/-2
Voltage Temperature Coefficient(Voc)	α	%°C	-0.32
Current Temperature Coefficient(Isc)	β	%°C	0.055
Power Temperature Coefficient(Pmpp)	γ	%°C	-0.39

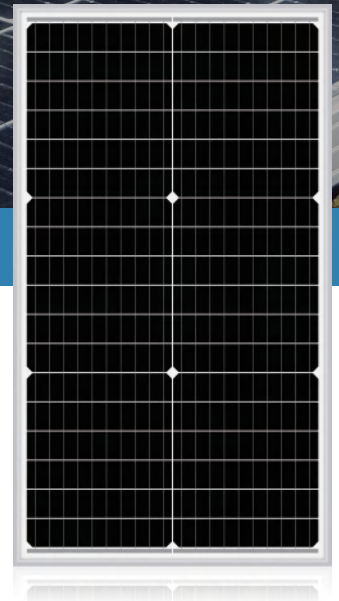
Mechanical Data

Solar Cell	Monocrystalline, 182*35mm
Arrangement	36Cells(2*18)
Front Glass	3.2mm Tempered
Frame	Anodized Aluminium
Max. Static Snow Load, Front	5400Pa
Max. Static Wind Load, Back	2400Pa
Junction Box	IP65
Cables & Connectors	As Per Requirement

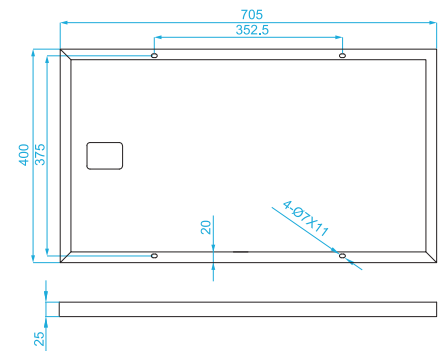
Electrical Data

STC: Irradiance 1000 W/m²(module temperature 25°C AM1 5)

Module Type	HG50M		
Nominal Peak Power	Pmax	Wp	50
Minimum Power Tolerance	Δ Pmax	%	-/+3
Max. Power Voltage	Vmp	V	20.2
Max. Power Current	Imp	A	2.48
Open-circuit Voltage	Voc	V	24.0
Short-circuit Current	Isc	A	2.68
Module Efficiency	η_m	%	17.7
Operating Temperature		°C	-40 to 85
Max Series Fuse Rating		A	3
Max. System Voltage	DC	V	1,000
Weight		KGS	3.0
Dimension		MM	705*400*25



Dimensions unit : mm



Materials & Workmanship Warranty



90% Power Output Warranty



80% Power Output Warranty

Warranty: Solar Modules with 25 years warranty

Contact Us for More Information

web: www.hignonsolar.com email: info@hignonsolar.com

Off Grid Solar PV Modules

Model No. HG100M 100W

Temperature Coefficients

Nominal Operating Cell Temperature	NOCT	°C	45+/-2
Voltage Temperature Coefficient(Voc)	α	%°C	-0.32
Current Temperature Coefficient(Isc)	β	%°C	0.055
Power Temperature Coefficient(Pmpp)	γ	%°C	-0.39

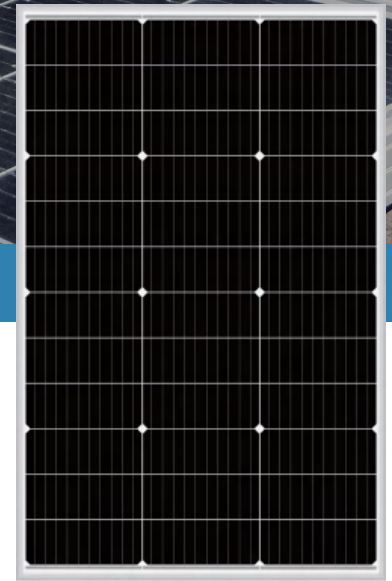
Mechanical Data

Solar Cell	Monocrystalline, 182*70mm
Arrangement	36Cells(3*12)
Front Glass	3.2mm Tempered
Frame	Anodized Aluminium
Max. Static Snow Load, Front	5400Pa
Max. Static Wind Load, Back	2400Pa
Junction Box	IP65
Cables & Connectors	As Per Requirement

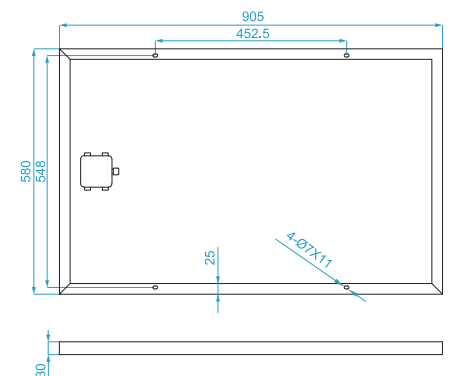
Electrical Data

STC: Irradiance 1000 W/m²(module temperature 25°C AM1.5)

Module Type	HG100M		
Nominal Peak Power	Pmax	Wp	100
Minimum Power Tolerance	Δ Pmax	%	-/+3
Max. Power Voltage	Vmp	V	20.2
Max. Power Current	Imp	A	4.95
Open-circuit Voltage	Voc	V	24.0
Short-circuit Current	Isc	A	5.38
Module Efficiency	η m	%	19.1
Operating Temperature		°C	-40 to 85
Max Series Fuse Rating		A	5
Max. System Voltage	DC	V	1,000
Weight		KGS	5.6
Dimension		MM	905*580*30



Dimensions unit : mm



Materials & Workmanship Warranty



90% Power Output Warranty



80% Power Output Warranty

Warranty: Solar Modules with 25 years warranty

Contact Us for More Information

web: www.hignonsolar.com email: info@hignonsolar.com

Off Grid Solar PV Modules

Model No. HG160M 160W

Temperature Coefficients

Nominal Operating Cell Temperature	NOCT	°C	45+/-2
Voltage Temperature Coefficient(Voc)	α	%°C	-0.32
Current Temperature Coefficient(Isc)	β	%°C	0.055
Power Temperature Coefficient(Pmpp)	γ	%°C	-0.39

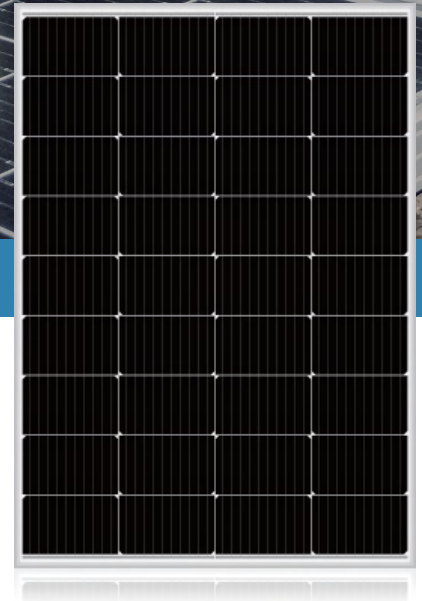
Mechanical Data

Solar Cell	Monocrystalline, 182*112mm
Arrangement	36Cells(4*9)
Front Glass	3.2mm Tempered
Frame	Anodized Aluminium
Max. Static Snow Load, Front	5400Pa
Max. Static Wind Load, Back	2400Pa
Junction Box	IP65
Cables & Connectors	As Per Requirement

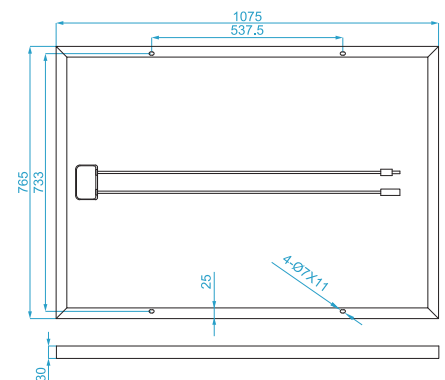
Electrical Data

STC: Irradiance 1000 W/m²(module temperature 25°C AM1.5)

Module Type	HG160M		
Nominal Peak Power	Pmax	Wp	160
Minimum Power Tolerance	ΔP_{max}	%	-/+3
Max. Power Voltage	Vmp	V	20.2
Max. Power Current	Imp	A	7.92
Open-circuit Voltage	Voc	V	24.0
Short-circuit Current	Isc	A	8.61
Module Efficiency	η_m	%	19.5
Operating Temperature		°C	-40 to 85
Max Series Fuse Rating		A	15
Max. System Voltage	DC	V	1,500
Weight		KGS	8.6
Dimension		MM	1075*765*30



Dimensions unit : mm



Materials & Workmanship Warranty



90% Power Output Warranty



80% Power Output Warranty

Warranty: Solar Modules with 25 years warranty

Contact Us for More Information

web: www.hignonsolar.com email: info@hignonsolar.com

Off Grid Solar PV Modules

Model No. HG200M 200W

Temperature Coefficients

Nominal Operating Cell Temperature	NOCT	°C	45+/-2
Voltage Temperature Coefficient(Voc)	α	%°C	-0.32
Current Temperature Coefficient(Isc)	β	%°C	0.055
Power Temperature Coefficient(Pmpp)	γ	%°C	-0.39

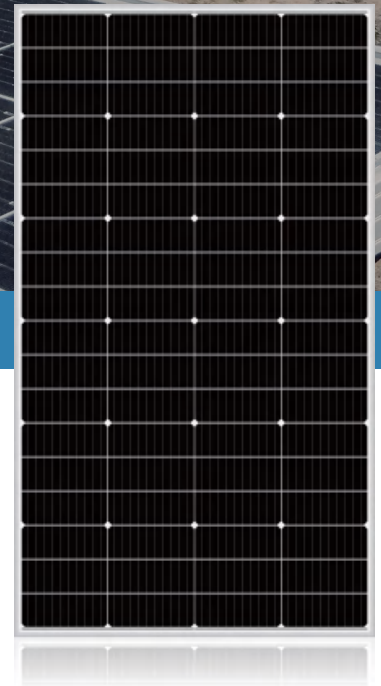
Mechanical Data

Solar Cell	Monocrystalline, 182*70mm
Arrangement	72Cells(4*18)
Front Glass	3.2mm Tempered
Frame	Anodized Aluminium
Max. Static Snow Load, Front	5400Pa
Max. Static Wind Load, Back	2400Pa
Junction Box	IP65
Cables & Connectors	As Per Requirement

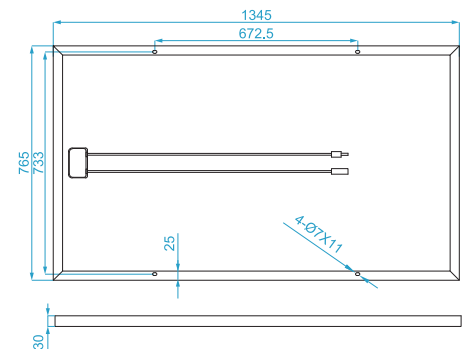
Electrical Data

STC: Irradiance 1000 W/m²(module temperature 25°C AM1 5)

Module Type	HG200M		
Nominal Peak Power	Pmax	Wp	200
Minimum Power Tolerance	ΔP_{max}	%	-/+3
Max. Power Voltage	Vmp	V	40.5
Max. Power Current	Imp	A	4.94
Open-circuit Voltage	Voc	V	48.0
Short-circuit Current	Isc	A	5.37
Module Efficiency	η_m	%	19.4
Operating Temperature		°C	-40 to 85
Max Series Fuse Rating		A	15
Max. System Voltage	DC	V	1,500
Weight		KGS	10.7
Dimension		MM	1345*765*30



Dimensions unit : mm



Materials & Workmanship Warranty



90% Power Output Warranty



80% Power Output Warranty

Warranty: Solar Modules with 25 years warranty

Contact Us for More Information

web: www.higonsolar.com email: info@higonsolar.com